

# KOHLER®

## Wellworth® Classic two-piece elongated 1.0 gpf toilet K-3531

### Features

- Vitreous china.
- Elongated bowl offers added room and comfort.
- Equipped with Sloan FLUSHMATE® – Sloan® Valve Company.
- Polished Chrome trip lever.
- 1.0 gpf (3.8 lpf).
- 11-1/2" (292 mm) x 9-1/2" (241 mm) water area.

### Installation

- Seat and supply line sold separately.
- Standard 12" (305 mm) rough-in.

### Recommended Products/Accessories

K-4636 Cachet® Quiet-Close™ Elongated Toilet Seat

K-5588 Purefresh® Elongated Toilet Seat

K-4108 C³®-230 Elongated bidet toilet seat

K-5420 Low-Profile Bolt Caps

### Included Components

Product consists of:

K-4303 Toilet bowl, less seat

K-4484 Toilet tank, 1.0 gpf

Additional Components:

Bolt cap accessory pack

Equipped with Sloan FLUSHMATE® – Sloan® Valve Company

Tank cover

Trip lever



### Codes/Standards

ASME A112.19.2/CSA B45.1

DOE - Energy Policy Act 1992

EPA WaterSense®




California Energy Commission (CEC)

### KOHLER® One-Year Limited Warranty

See website for detailed warranty information.

### Available Colors/Finishes

*Color tiles intended for reference only.*

| Color   | Code | Description  |
|---|------|--------------|
|  | 0    | White        |
|  | 96   | Biscuit      |
|  | 7    | Black Black™ |

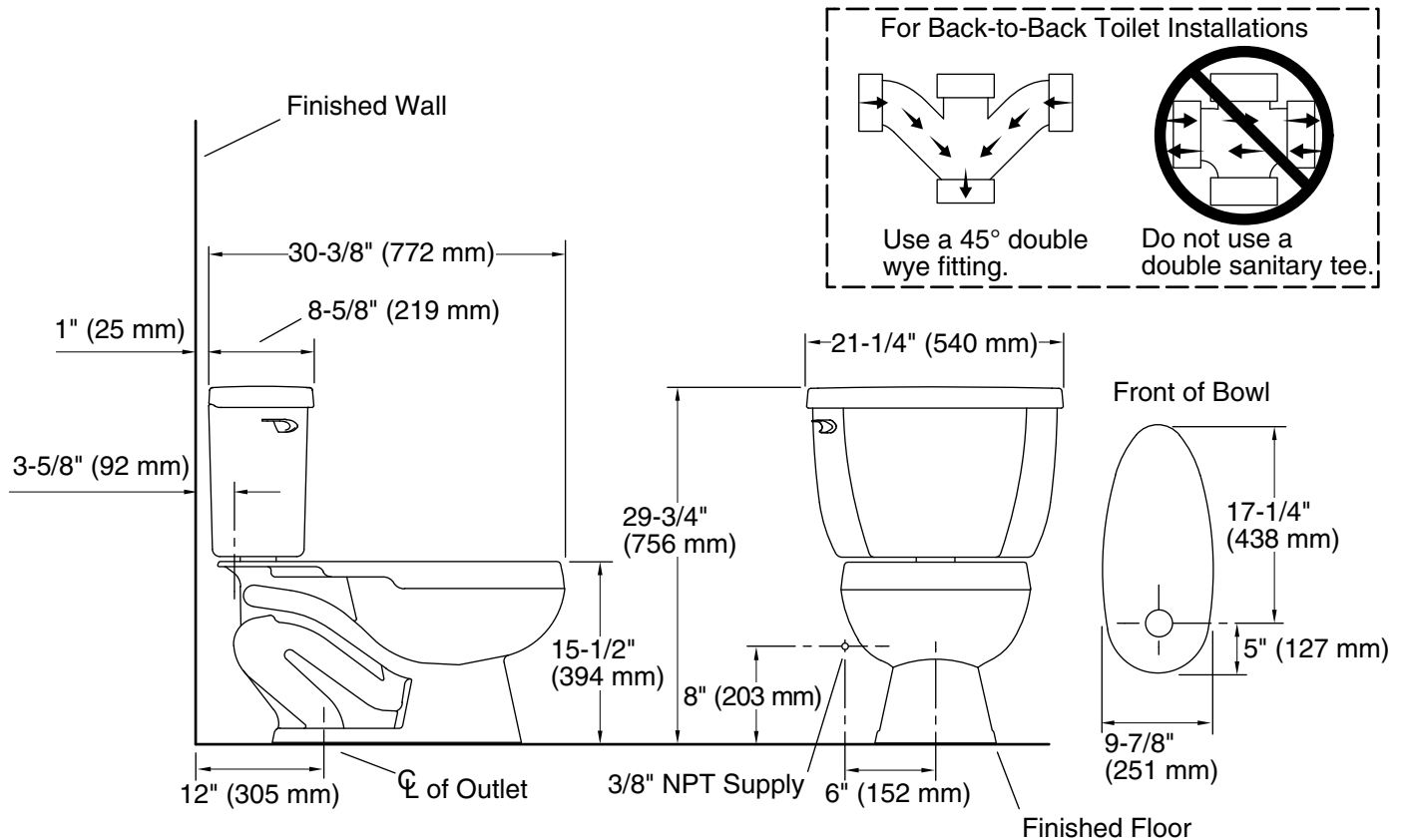
1-800-4KOHLER (1-800-456-4537)

Kohler Co. reserves the right to make revisions without notice to product specifications.

For the most current Specification Sheet, go to [www.kohler.com](http://www.kohler.com).

5-29-2021 18:28 - US/CA/MX

THE BOLD LOOK  
OF **KOHLER**®



### Technical Information

All product dimensions are nominal.

|                       |                                    |
|-----------------------|------------------------------------|
| Toilet type:          | Two-piece, Floor-mount             |
| Waste Outlet:         | Floor                              |
| Bowl shape:           | Elongated                          |
| Flush type:           | Pressure Assisted                  |
| Trap passageway:      | 2-1/4" (57 mm)                     |
| Water Consumption     |                                    |
| Full:                 | 1 gpf (3.8 lpf)                    |
| Water surface size:   | 11-1/2" x 9-1/2" (292 mm x 241 mm) |
| Rim to water surface: | 5-5/8" (143 mm)                    |
| Rough-in:             | 12" (305 mm)                       |
| Seat-mounting holes:  | 5-1/2" (140 mm)                    |

### Fixture Supply Requirements

|                      |                    |
|----------------------|--------------------|
| Min static pressure: | 35 psi (241.3 kPa) |
| Max static pressure: | 80 psi (551.6 kPa) |

### Notes

Install this product according to the installation instructions.

For back-to-back toilet installations: Use only a 45° double wye fitting.